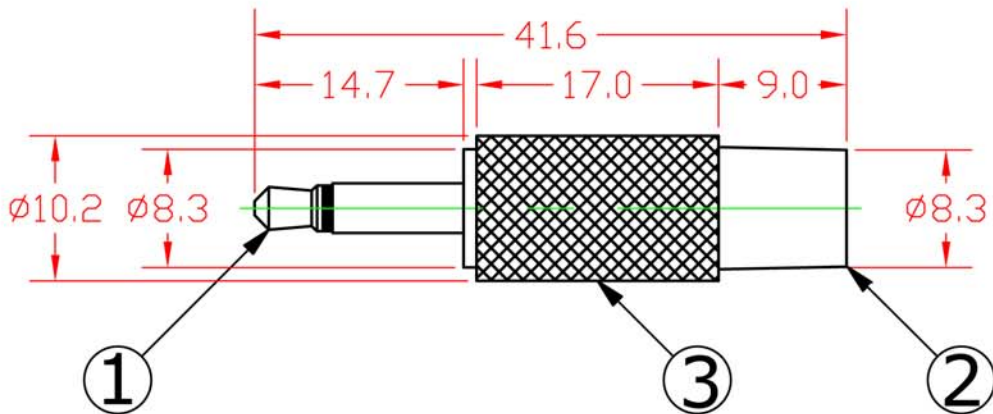


NOTE: ALL MATERIAL COMPLIANT ROHS STANDARD.

**RoHS
Compliant**

REVISION INFORMATION

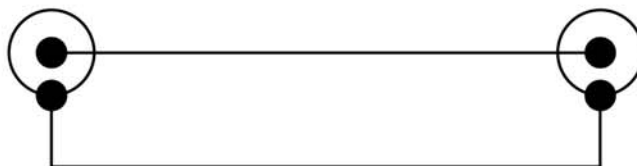
Rev.	Rev. Date	Modified By	Brief Description



CONNECTION

3.5 Mono Male

RCA Female



ELECTRICAL TESTING

1. CONDUCTOR RESISTANCE: : $\leq 5\Omega$ 300V DC

SFCABLE.COM

DRAWN BY		DATE: 2014/04/21	DESCRIPTION: 3.5mm Mono Plug to RCA Jack Adapter Gold Plated	
CHECKED BY		SHEET 1 of 1	ITEM NO. 2013-SF-03	
APPROVED BY		SCALE 1:1	REV. 00	UNIT: mm

NO.	PART NAME	SPECIFICATION DESCRIPTION	Q'TY	UNIT
③	Shell	Metal-Gold Plated	1	PC
②	RCA Female	RCA Female-Gold Plated	1	PC
①	3.5 Mono Male	3.5 Mono Male-Gold Plated	1	PC