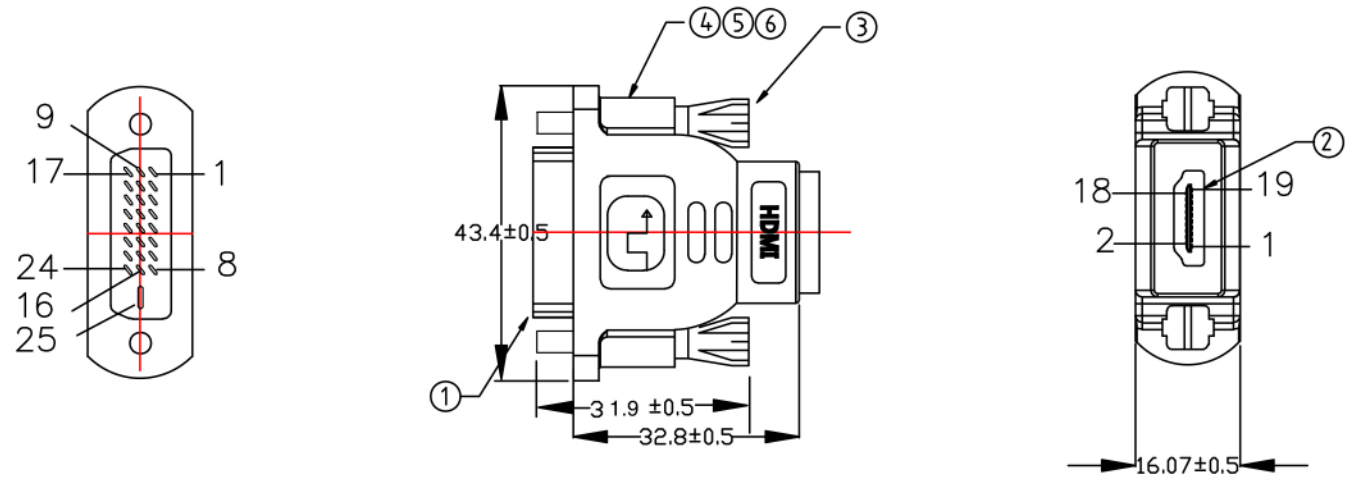


LTR	REV.	DESCRIPTION	DATE	APP'D

RoHS-COMPLIANT
HDMI ??



Note: the reverse LOGO blank

- | | | | |
|----------|----|-------------|-------|
| 1 _____ | 3 | 15 _____ | 17 |
| 2 _____ | 1 | 16 _____ | 19 |
| 3 _____ | 2 | 17 _____ | 9 |
| 6 _____ | 15 | 18 _____ | 7 |
| 7 _____ | 16 | 19 _____ | 8 |
| 9 _____ | 6 | 22 _____ | 11 |
| 10 _____ | 4 | 23 _____ | 10 |
| 11 _____ | 5 | 24 _____ | 12 |
| 14 _____ | 18 | SHELL _____ | SHELL |

6	PCB' A	PCB 'A	1
5	OUTER HOUSING	PVC 45P black	A/R
4	INNER HOUSING	Low density PE ,transparent	A/R
3	SCREW	#4-40, 3.0*21.5MM, plating gold	2
2	CONNECTOR	HDMI A female, Terminal plating gold, Black rubber, Shell plating gold	1
1	CONNECTOR	DVI 24+1P male, Terminal plating gold, Black rubber, Shell plating gold	1

	Tol.	Inch	mm	UNITS	mm	DR:					
	X.	.02	0.5	ANGLE	±'	CHKD:					
	X.X	.12	0.3	SCALE	NONE	APPD:					
	X.XX	.008	0.2			DATE	2014-5-21				
CUSTOMER P/N	P/N		30HM-15328	X.XXX	.006	0.15		REV	A	SHEET	1/1