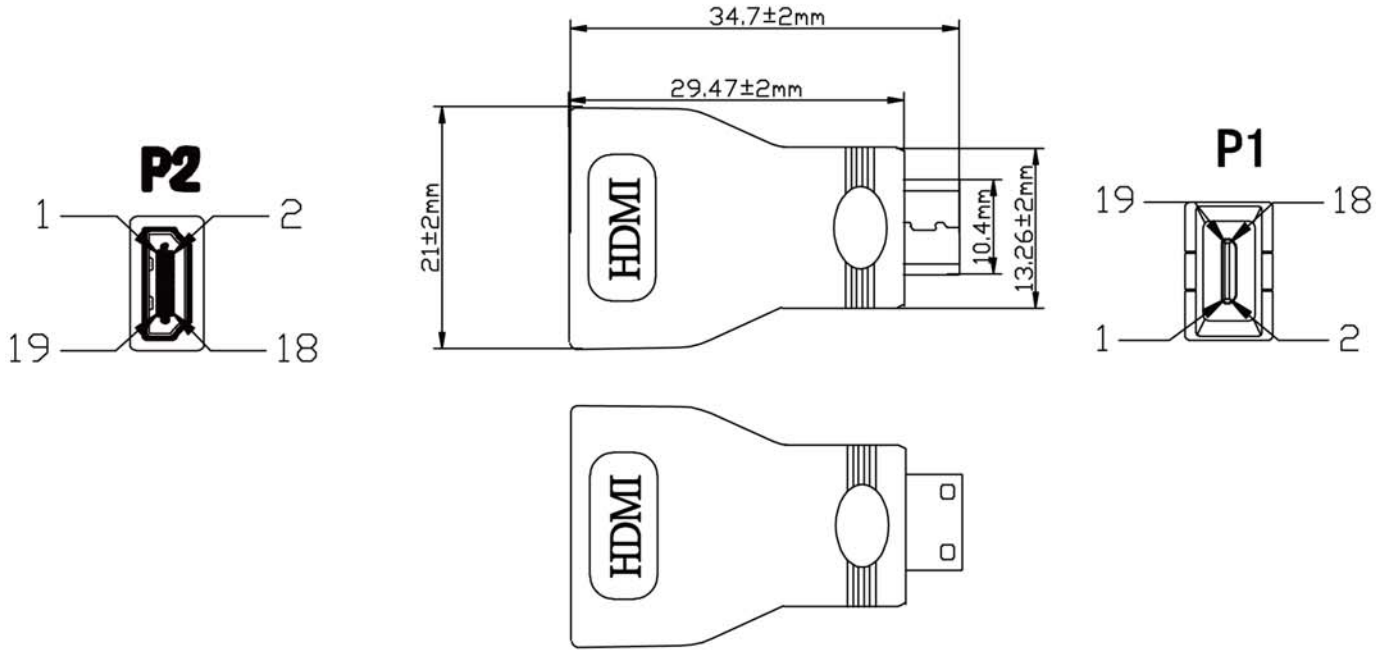


Product Name	Mini HDMI Male To HDMI Female Adapter
Product Numbers	SF-CVM301

PIN ASSIGNMENT



P1	P2
1	2
2	1
3	3
4	5
5	4
6	6
7	8
8	7
9	9
10	11
11	10
12	12
13	14
14	17
15	15
16	16
17	13
18	18
19	19
SHELL	SHELL

ELECTRICAL PROPERTIES:

- 1 Contact Resistance: 3 ohm MAX
- 2 Insulation Resistance: 5Mega ohm MIN
- 3 Hi-Pot: 300V DC/10ms

REV.	DESCRIPTION			DATE												
④	MOLDED 45P PVC BLACK	KG	<table border="1"> <tr> <th colspan="2">TOLERANCE</th> <th rowspan="3">SFCABLE.COM</th> </tr> <tr> <th>INCHES</th> <th>M/M</th> </tr> <tr> <td>.X</td> <td>.015 .30</td> </tr> <tr> <td>.XX</td> <td>.010 .10</td> <td rowspan="2">TITLE: SF-CVM301</td> </tr> <tr> <td>.XXX</td> <td>.005 .05</td> </tr> </table>	TOLERANCE		SFCABLE.COM	INCHES	M/M	.X	.015 .30	.XX	.010 .10	TITLE: SF-CVM301	.XXX	.005 .05	
TOLERANCE		SFCABLE.COM														
INCHES	M/M															
.X	.015 .30															
.XX	.010 .10	TITLE: SF-CVM301														
.XXX	.005 .05															
③	High density PE die material	KG														
②	HDMI-A TYPE FEMALE CONNECTOR SOLDER TYPE CONTACT GOLD FLASH.	1	DRAWN BY Dawson	Mini HDMI Male To HDMI Female Adapter												
①	HDMI-C MALE CONNECTOR SOLDER TYPE CONTACT GOLD FLASH.	1	CHECK BY	SCALE NONE UNIT MM DRAWING NO: DATE 2013.03.08												
NO.	DESCRIPTION	Q'TY	APPD BY	REV. A 1/3												