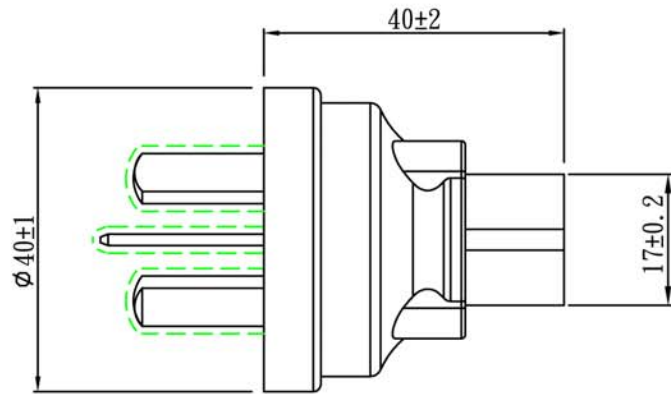
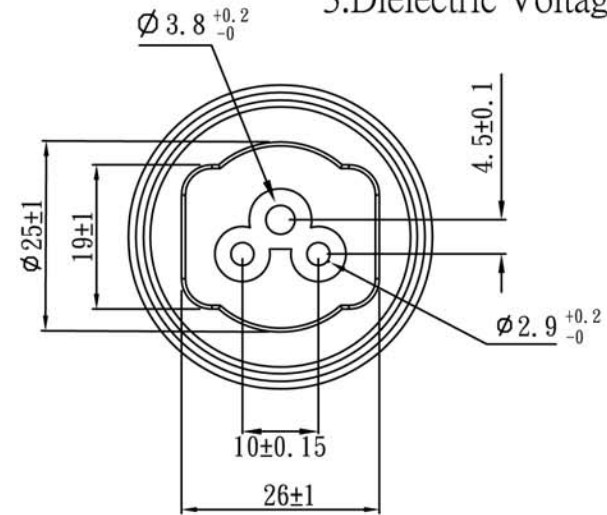
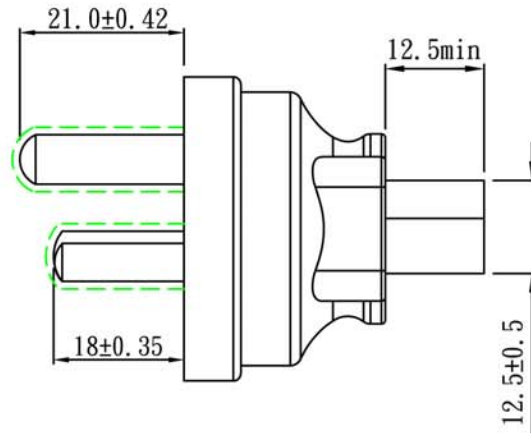
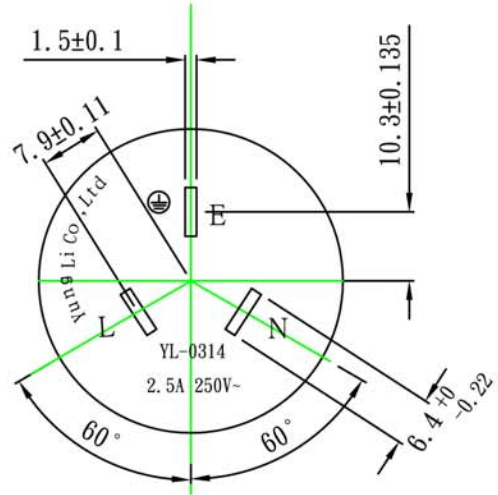



IEC 60320 C5 to GB 2099



Note:

1. Rating: 2.5A 250V
2. Insulation Resistance: 5MΩ
3. Dielectric Voltage: 2500V/sec

TOLERANCE >0±0.30 >1.0±0.50 >10.0±1.0 >20.0±2.0 Angle: ±1°	APPROVED		DATE		 1-888-275-8755		
	CHECKED		DATE				
	DRAWN		DATE				
	TYPE	YL-0314			P/N		
	DRAWING NO.	CY-A0314			MATERIAL	P. V. C	UNIT
				SCALE	1:1	