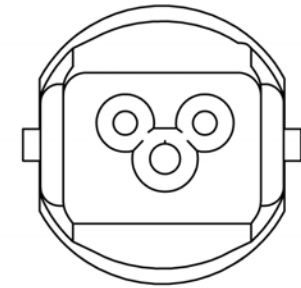
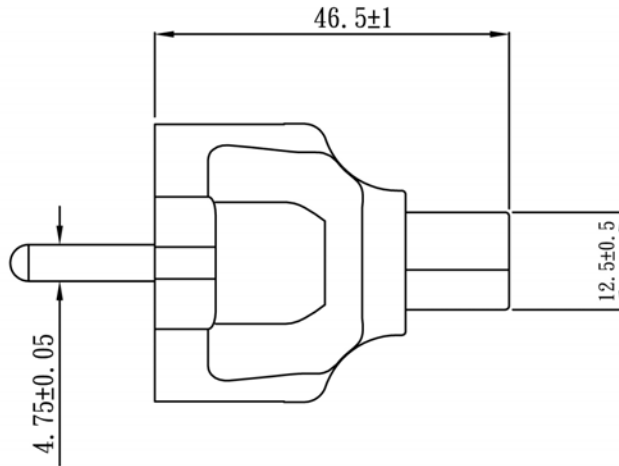
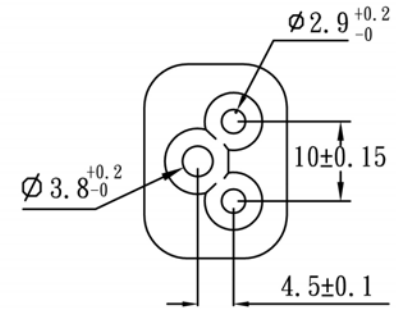
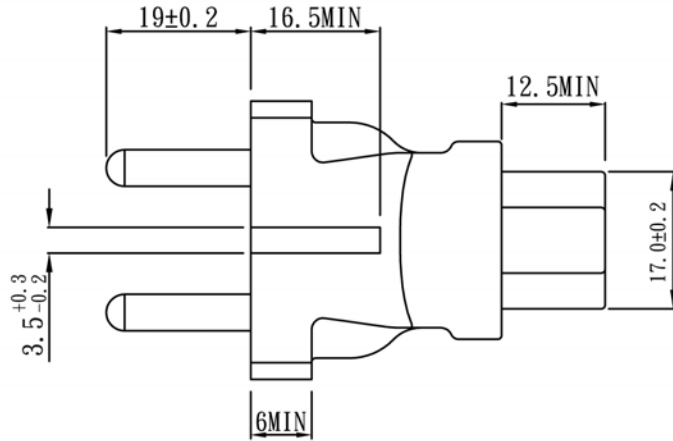
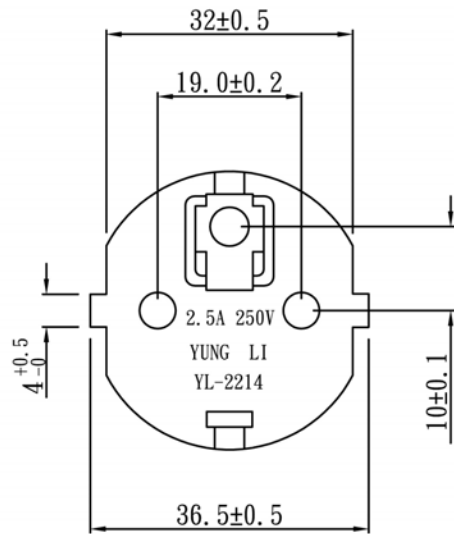


Note:

- 1. Rating: 2.5A 250V
- 2. Insulation Resistance: 100MΩ
- 3. Dielectric Voltage: 2000V/sec



- 1. 1015 18AWG (BLUE BROWN:=25mm GRN/YEL:=25mm)
- 2. TER:98651 1PC
- 3. TER:98714PS-0 2PCS
- 4. TER:98732PS-0 1PC
- 5. YC-14 INNER BODY 1PC
- 6. PVC:50P
- 7. WHITE SLEEVE 1PC
- 8. ZIP BAG:110x85x0.06mm(W=110 L=85) 1PC

TOLERANCE >0±0.30 >1.0±0.50 >10.0±1.0 >20.0±2.0 Angle: ±1°	APPROVED		DATE		SFCable.com 1-888-275-8755			
	CHECKED		DATE					
	DRAWN		DATE					
	TYPE	YL-2214			P/N			
	DRAWING NO.	CY-A2214			MATERIAL	P. V. C	UNIT	mm
				SCALE	1:1			